

## HA16 RTJ PRO



### PERFORMANCE & EASE OF USE

- > Industry leading working envelope with an outreach of 8.3 m
- > Best lifting speed of 40 sec
- > Fully proportional and simultaneous movements
- > 4-wheel steer and 360° continuous rotation for a greater productivity

### BEST COMFORT AND SAFETY FEELING

- > Haulotte Activ' Shield Bar 2.0
- > Haulotte Activ' Lighting System for safe loading/unloading in conditions of low visibility

### MAXIMIZED TOTAL COST OF OWNERSHIP

- > Haulotte Activ'Screen (on board diagnostic)
- > Haulotte Stop Emission System : automatically turns the engine off & on
- > Easy access to all components

AVAILABLE  
Q4 2018

AVAILABLE  
Q4 2018

# HA16 RTJ PRO

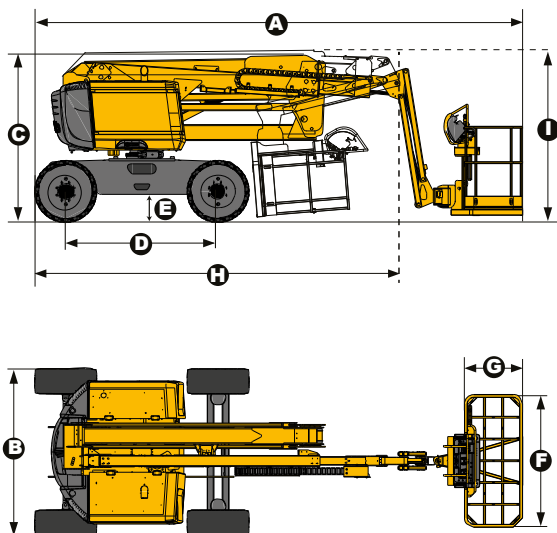
## ROUGH TERRAIN ARTICULATING BOOMS

### TECHNICAL DATA

### HA16 RTJ PRO

Working height	16 m
Platform height	14 m
Horizontal outreach	8.3 m
Up and over clearance	7.65 m
Lift capacity	230 kg (2 persons)
<b>F</b> x <b>G</b> Platform size	1.83 x 0.80 m
<b>A</b> Length - stowed	6.75 m
<b>H</b> Transport length	5.05 m
<b>B</b> Width	2.3 m
<b>C</b> Height - stowed	2.3 m
<b>I</b> Transport height	2.4 m
Vertical jib rotation	140° (-80°/+60°)
Platform rotation	165° (-75°/+90°)
Turntable rotation	360° continuous
Tailswing	10 cm
<b>D</b> Wheelbase	2.1 m
<b>E</b> Ground clearance	38 cm
Tilt	5°
Drive speed	5.2 km/h
Gradeability	40 %
Turning radius - outside	3.75 m
Tyres - solid rough terrain	850x340 mm
Power source	Kubota, 26.5kW (36hp), Stage 3A

Weight 6 650 kg



### STANDARD EQUIPMENT

- > Haulotte Activ' Shield Bar 2.0
- > Haulotte Stop Emission System\*
- > Haulotte Activ'Lighting System\*
- > Embedded diagnostic system Haulotte Activ'Screen on lower control box, with color screen.
- > Universal telematics plug
- > 4 wheel drive
- > 4 wheel steer
- > Front oscillating axle increases stability on uneven ground
- > 4 simultaneous movements for maximum productivity
- > Permanent limited slip differential
- > Upper control box cover
- > Tool tray
- > 230 kg (2 persons) load capacity
- > Modular standard basket 1.83 m x 0.80 m, quick & easy to repair
- > Drop bar entry gate
- > AC power to platform (110/230V)
- > Swing out engine tray for ease of maintenance
- > Sound and light alarm for tilt and load
- > Safe to use in winds up to 60km/h - 37mph
- > Rotating beacon
- > Travel alarm
- > Hour meter
- > 12 V battery / electrical control system
- > Engine pre-heater with light indicator
- > Low fuel level indicator (upper & lower control boxes)
- > Electric pump system and emergency descent

### OPTIONS AND ACCESSORIES

- > Large cured on solid Rough terrain tires 1025x365
- > Non-marking tyres 14x17.5
- > Modular large basket 2.44 m x 0.91 m quick and easy to repair
- > Power to platform (Female plug in the basket with or without circuit-breaker 30mA)
- > Air-line to platform 6.5 mm inner diameter
- > Lateral swing door entry gate
- > Hydraulic generator Dynaset 3.5KW
- > Biodegradable hydraulic oil
- > Hot weather kit : hydraulic oil cooler + hydraulic oil
- > Cold weather kit : -10°C / -25°C
- > Spark arrestor and electric one-way valve
- > Working light
- > Battery cut-off



\*Available Q4 2018